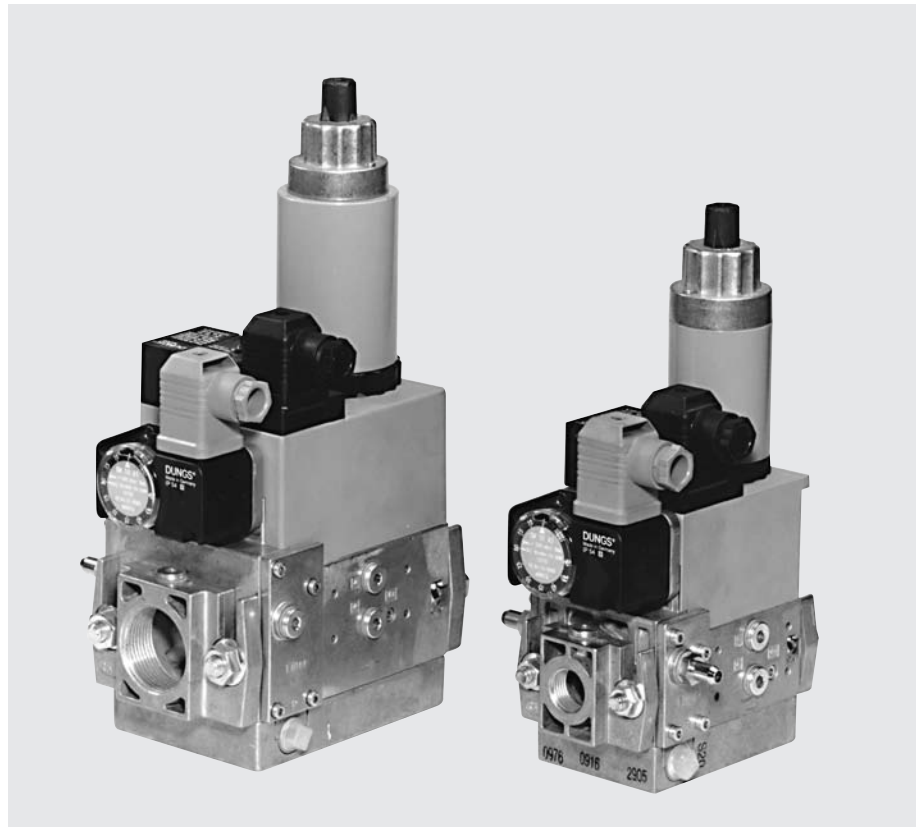


# GasMultiBloc Combined regulator and safety shut-off valves Two-stage function

MB-ZRD(LE) 405 - 412 B01

**DUNGS**®  
Combustion Controls

7.24



## Technical description

The DUNGS GasMultiBloc integrates filter, regulator, valves and pressure switches in one compact fitting.

- Dirt trap: microfilter
- One regulator and two main valves: B01
- One one-stage valve and one two-stage valve
- One valve is fast opening, one valve is slow or fast opening
- Solenoid valves up to 360 mbar as per DIN EN 161 Class A Group 2
- Sensitive setting of output pressure by proportional regulator as per DIN EN 88 Class A Group 2
- High flow rates with low pressure drop
- DC solenoid drive interference degree N
- Main volume restrictor and partial volume restrictor at valve V2
- Hydraulic opening delay
- Flange connections with pipe threads as per ISO 7/1
- Simple mounting, compact, light-weight

The modular system permits individual solutions by using external ignition gas tap in connection with separately controlled valves, by adding a valve proving system, mini/maxi pressure switches, pressure limiters, limit switch and closing stroke limiter at valve V2, regulator blocking for liquid gas applications.

## Application

The modular system permits individual solutions in gas safety and regulator engineering. Suitable for gases of families 1, 2, 3 and other neutral gaseous media.

## Approvals

EC type test approval as per EC Gas Appliance Directive:  
MB-ZR...405-412 B01 CE-0085 AP 3156  
EC type test approval as per EC Pressure Equipment Directive:  
MB-ZR...405-412 B01 CE0036  
Approvals in other important gas consuming countries.

### Functional description of gas flow

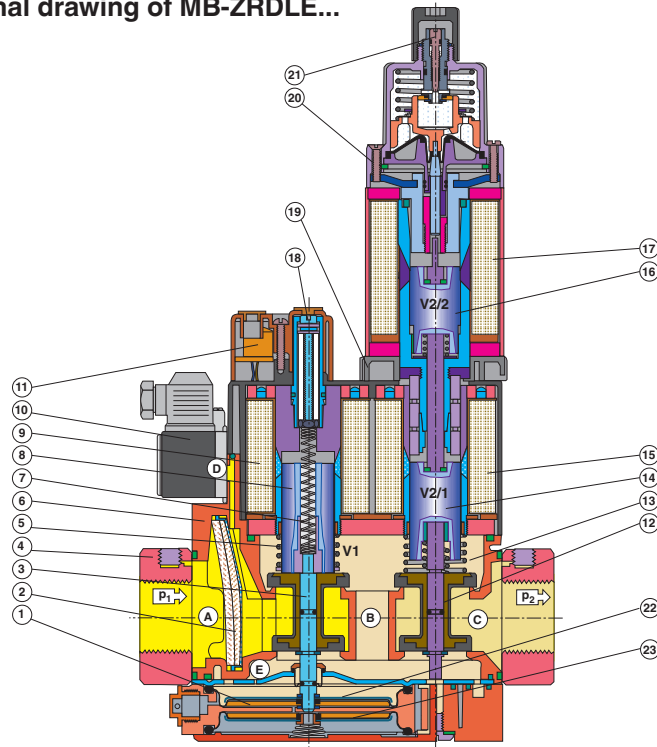
1. When the valves V1 and V2 are closed, chamber A is under inlet pressure.
2. A hole D in the filter housing connects min. pressure switch with chamber A. If the inlet pressure applied to the pressure switch exceeds the incoming reference value, it switches through to the automatic burner control.
3. After release by the automatic burner control, valve V1 and stage 1 of valve V2 open. The gas flows through chambers A, B and C of the GasMultiBloc.
4. On request, the second stage of valve V2 opens.

### Operating method of valve-regulator combination on valve V1

A regulator compensating for residual pressure is integrated in valve V1 (pressure regulating part). Armature 8 is not connected to valve plate unit 3. When it opens, armature 8 pretensions compression spring (V1) 5 and releases the valve plate unit. When the valve closes, the armature acts directly on the valve plate unit. The output pressure upstream of valve V2 is defined by pretensioning regulating spring 7 (tension spring) via setting screw 18.

The output pressure acts via opening E on the working diaphragm 22 of the regulator part. In regulated state, setting spring inlet pressure and pressure of working diaphragm are in force equilibrium. The compensating diaphragm ensures the fast closing function of valve V1 and a high regulating quality.

### Sectional drawing of MB-ZRDLE...



1 Pressure regulator	10 Gas pressure switch	Setting:
2 Microfilter	11 Electrical connection	18 - Gas pressure $p_a$
3 Valve V1	12 Valve V2	19 - Partial volume, 1st stage
4 Connection flange	13 Closing spring V2	20 - Main volume
5 Closing spring V1	14 Armature V2 (1st stage)	21 - Fast stroke
6 Housing	15 Solenoid V2 (1st stage)	22 Working diaphragm
7 Regulating spring	16 Armature V2 (2nd stage)	23 Compensation diaphragm
8 Armature V1	17 Solenoid V2 (2nd stage)	
9 Solenoid V1		

### Operating method of valve V2

Armature 14 of valve V2 is connected to valve plate unit 12. When it opens, armature 14 pretensions closing spring 13. The valve opening of stage 1 can be set by limiting the armature stroke by means of the main volume restrictor 19.

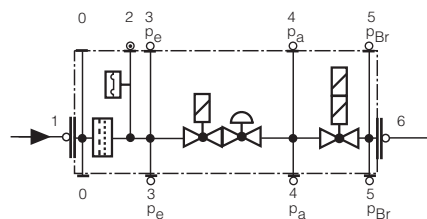
### Min. opening (residual stroke) of valve (0.5 to 1.0 mm)

When the second stage of valve 2 opens, closing spring 13 is continuously pretensioned. The maximum valve opening of stage 2 can be set by limiting the armature stroke of armature 16 using the main volume restrictor 20. Main volume restrictor 20 is set by rotating the adjusting plate or the hydraulic brake. The fast and/or slow opening characteristic acts on both stages. It is influenced by setting the fast stroke at the hydraulic brake under the cover.

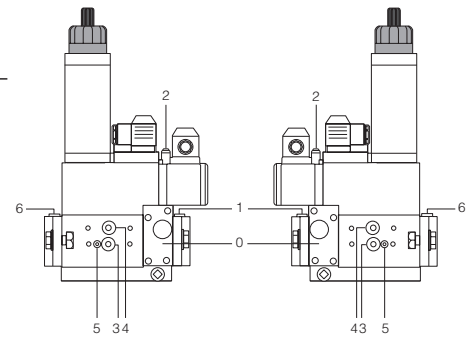
### Closing function

When the supply voltage to the solenoid coils of valves V1 and V2 is interrupted, they are closed within < 1 s by the compression springs.

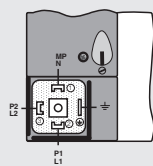
### Pressure taps



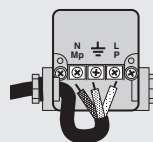
- 0 Filter cover
- 1, 3, 4, 6 G 1/8 screw plug
- 2 Test nipple
- 5 M4 screwed sealing plug



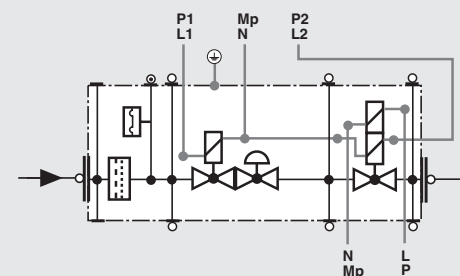
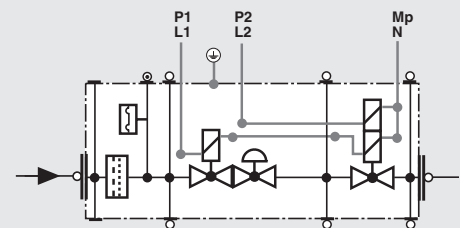
### Electrical connection



Valves V1, V2  
1st stage



Valve V2  
2nd stage



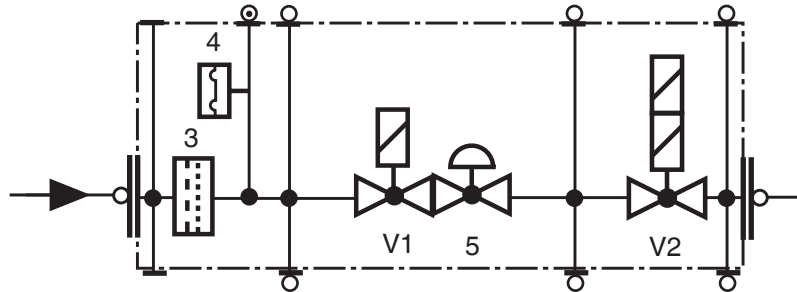
## Specifications

Nominal diameters Flange with pipe threads as per ISO 7/1 (DIN 2999)	MB-ZR...405/407 B01 Rp 1/2, 3/4 and their combinations	MB-ZR...410/412 B01 Rp 3/4, 1, 1 1/4 and their combinations																					
<b>Max. operating pressure</b>	<b>360 mbar (36 kPa)</b>																						
<b>Output pressure ranges</b>	<b>MB-... S20/S22 p<sub>a</sub>: 4 mbar to 20 mbar</b> <b>MB-... S50/S52 p<sub>a</sub>: 4 mbar to 50 mbar</b>																						
Media	Gases of families 1, 2, 3 and other neutral gaseous media																						
Ambient temperature	-15 °C to +70 °C (Do not operate MB-D below 0 °C in liquid gas systems. Only suitable for gaseous liquid gas, liquid hydrocarbons destroy sealing materials.)																						
Dirt trap	Sieve with 0.8 mm mesh width, filter made of random laid nonwoven fabric, microfilter, changing the filter is possible without removing the valve.																						
Pressure switches	Types GW...A5, ÜB...A2 / NB...A2 to DIN EN 1854 may be attached. For further information, refer to Datasheets 5.02 and 5.07 "Pressure Switches for DUNGS Multiple Actuators"																						
Pressure regulator	Pressure regulator compensated for residual pressure, leakproof seal when switched off by means of valve V1 as per DIN EN 88 Class A. Setpoint spring permanently installed (no spring exchange possible). A vent line above roof is not required. Internal pulse tap provided.																						
Solenoid valve V1	Valve as per DIN EN 161 Class A Group 2, fast closing, fast opening																						
Solenoid valve V2	Valve as per DIN EN 161 Class A Group 2, fast closing																						
	<table border="1"> <thead> <tr> <th></th> <th>Valve V2 design</th> <th>Partial volume restrictor</th> <th>Main volume restrictor</th> </tr> </thead> <tbody> <tr> <td>MB-ZR</td> <td>fast opening</td> <td>with</td> <td>without</td> </tr> <tr> <td>MB-ZRD</td> <td>fast opening</td> <td>with</td> <td>with</td> </tr> <tr> <td>MB-ZRDLE</td> <td>slow opening</td> <td>with</td> <td>with</td> </tr> <tr> <td>MB-ZRLE</td> <td>slow opening</td> <td>with</td> <td>without</td> </tr> </tbody> </table>				Valve V2 design	Partial volume restrictor	Main volume restrictor	MB-ZR	fast opening	with	without	MB-ZRD	fast opening	with	with	MB-ZRDLE	slow opening	with	with	MB-ZRLE	slow opening	with	without
	Valve V2 design	Partial volume restrictor	Main volume restrictor																				
MB-ZR	fast opening	with	without																				
MB-ZRD	fast opening	with	with																				
MB-ZRDLE	slow opening	with	with																				
MB-ZRLE	slow opening	with	without																				
Measuring / Ignition gas connection	For G 1/8 as per DIN ISO 228, refer to Pressure taps on page 2																						
Burner pressure monitor p <sub>Br</sub>	Connection downstream of valve V2, pressure switch A2 mountable on adapter laterally																						
Voltage / Frequency	50-60 Hz 220-230 V AC -15 % +10 % Other preferred voltages: 240 V AC, 110-120 V AC, 48 VDC, 24-28 VDC																						
Electrical connection	Plug connection as per DIN EN 175301-803 for valves and pressure switches																						
Rating / Power consumption Switch-on duration Degree of protection Radio interference	Refer to Dimensions on page 5 100 % IP 54 as per IEC 529 (EN 60529) Interference degree N																						
Materials of gas conveying parts	Housing Diaphragms, seals Solenoid drive	aluminium die casting NBR basis, Silopren (silicone rubber) steel, brass, aluminium																					
Installation position	Solenoid vertically upright or lying horizontally as well as its intermediate positions.																						
Closed position signal contact	Closed position signal contact, type K01/1 (DIN-tested), mountable on V2																						

Equipment variants GasMultiBloc...B01 Two-stage function	405 B01	407 B01	410 B01	412 B01	
MB-ZR	•	•	•	•	
MB-ZRD	•	•	•	•	
MB-ZRDLE	•	•	•	•	
MB-ZRLE	•	•	•	•	
Microfilter with sieve	•	•	•	•	
Gas pressure switch downstream of filter	•	•	•	•	
downstream of valve V2 on adapter laterally	•	•	•	•	
Pressure regulator	•	•	•	•	
Valve V1, double seat	•	•	•	•	
Valve V2, single seat	•	–	•	–	
Valve V2, double seat	–	•	–	•	
Valves opening together	•	•	•	•	S 20, S 50
Valves opening separately	•	•	•	•	S 22, S 52
Flange Rp 1/2	•	•	–	–	• = possible (•) = on request - = not possible
Flange Rp 3/4	•	•	•	•	
Flange Rp 1	–	–	•	•	
Flange Rp 1 1/4	–	–	•	•	

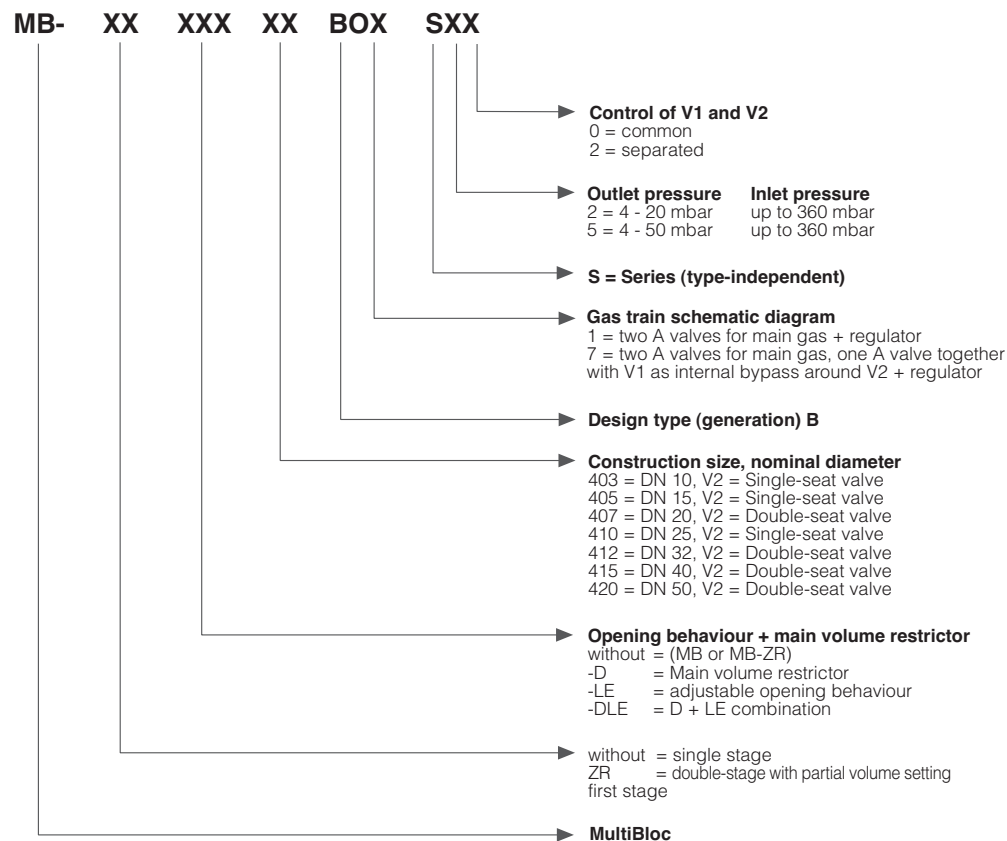
### MB-ZR...B01 version

- V1 = Valve 1
- V2 = Valve 2
- 3 = Dirt trap
- 4 = Pressure switch
- 5 = Regulator

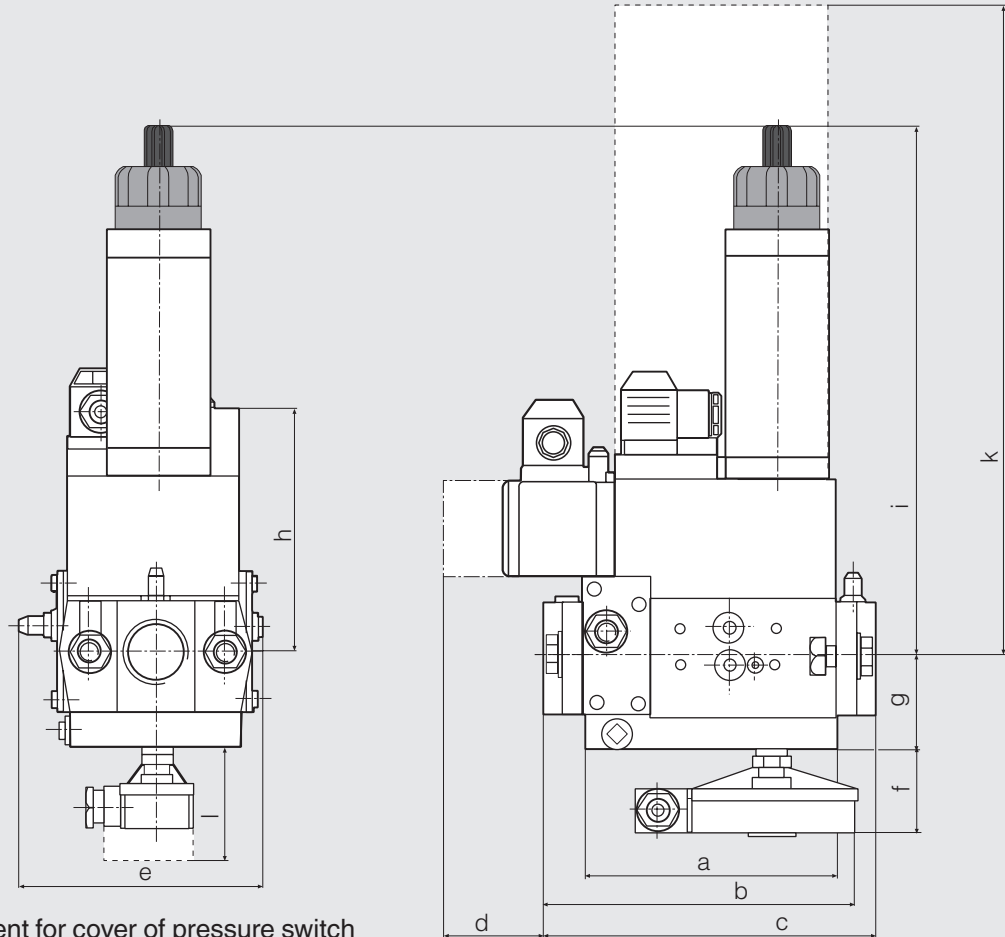


Mounting of VPS 504 valve proving system possible  
Mounting of K01/1 closed position signal contact possible

### Type key of MultiBloc



## Dimensions [mm]



d = Space requirement for cover of pressure switch  
 k = Space requirement for exchanging the solenoid  
 l = Space requirement for K01/1 closed position signal contact

Type	Rp	Opening time	Dimensions [mm]											Weight [kg]
			a	b	c	d	e	f	g	h	i	k	l	
MB-ZRD 405/407 B01	Rp 1/2	< 1 s	110	151	155	40	120	50	46	115	170	230	80	3.1
MB-ZRDLE 405/407 B01	Rp 3/4	< 20 s	110	151	155	40	120	50	46	115	210	230	80	3.2
MB-ZRD 410/412 B01	Rp 1	< 1 s	140	185	185	40	145	50	55	135	225	300	80	6.4
MB-ZRDLE 410/412 B01	Rp 1 1/4	< 20 s	140	185	185	40	145	50	55	135	260	300	80	6.5

## Rating/power consumption

[VA] 230 V AC; +20 °C:

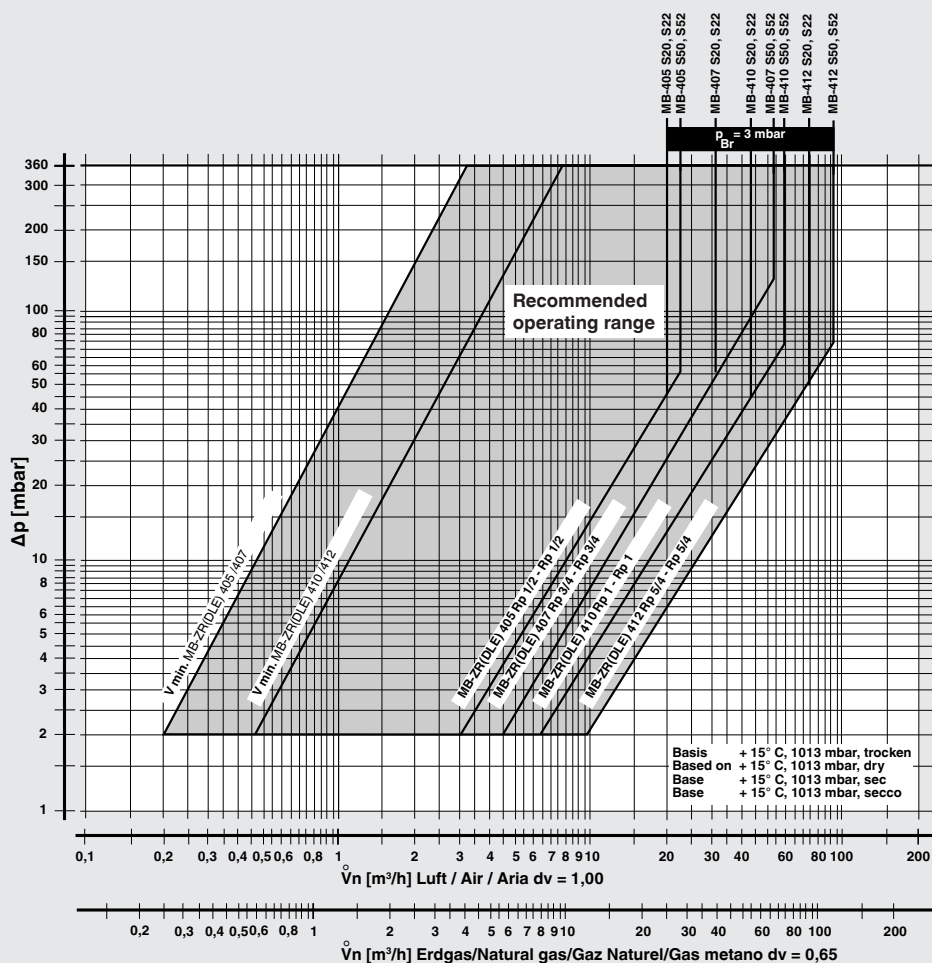
MB-ZR 405/407 S 20	60
MB-ZR 405/407 S 50	60
MB-ZR 405/407 S 22	70
MB-ZR 405/407 S 52	70
MB-ZR 410/412 S 20	74
MB-ZR 410/412 S 50	74
MB-ZR 410/412 S 22	120
MB-ZR 410/412 S 52	120

**GasMultiBloc**  
**Combined regulator and**  
**safety shut-off valves**  
**Two-stage function**

**MB-ZRD(LE) 405 - 412 B01**



**Volumetric flow pressure loss characteristics in regulated state with microfilter**



$$f = \sqrt{\frac{\text{Dichte Luft} / \text{Spec. weight air} / \text{poids spécifique de l'air} / \text{peso específico aria}}{\text{Dichte des verwendeten Gases} / \text{Spec. weight of gas used} / \text{poids spécifique du gaz utilisé} / \text{peso específico del gas utilizado}}}$$

Gas type	Density [kg/m³]	dv	f
Nat. gas	0.81	0.65	1.24
City gas	0.58	0.47	1.46
LPG	2.08	1.67	0.77
Air	1.24	1.00	1.00

$$\dot{V}_{\text{verwendetes Gas/gas used/ gaz utilisé/gas utilizzato}} = \dot{V}_{\text{Luft/air/aria}} \times f$$

We reserve the right to make any changes in the interest of technical progress.

**Head Offices and Factory**  
**Karl Dungs GmbH & Co. KG**  
**Siemensstraße 6-1**  
**D-73660 Urbach, Germany**  
**Telephone +49 (0)7181-804-0**  
**Fax +49 (0)7181-804-166**

**Postal address**  
**Karl Dungs GmbH & Co. KG**  
**Postfach 12 29**  
**D-73602 Schorndorf, Germany**  
**e-mail info@dungs.com**  
**Internet www.dungs.com**